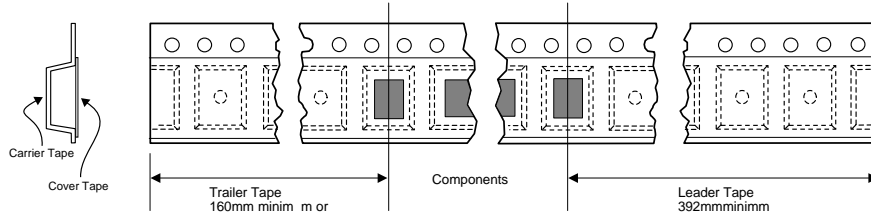


MBF Tape and Reel Data

REEL	Reel Size	Box	Box Size(mm)	Carton	Carton Size(mm)	G.W.(kg)
5000 pcs	7 inch	10,000 pcs		80,000 pcs		17

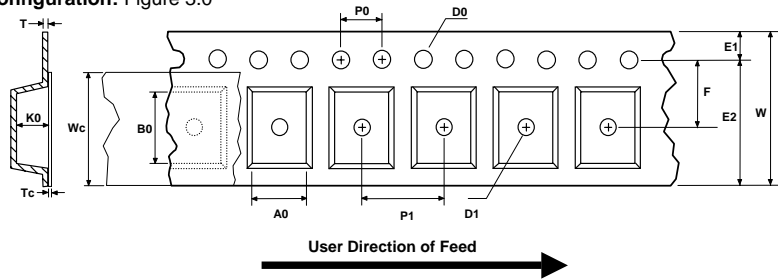
MBF Tape Leader and Trailer Configuration: Figure 2.0



Packaging Description:

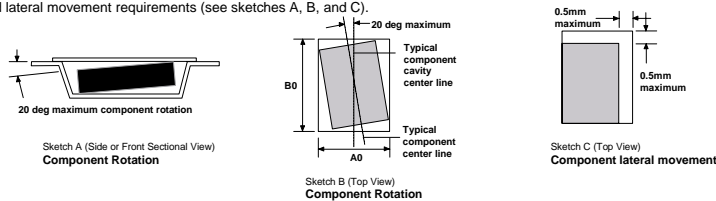
parts are shipped in tape. The carrier tape is made from a dissipative (carbon filled) polycarbonate resin. The cover tape is a multilayer film (Heat Activated Adhesive in nature) primarily composed of polyester film, adhesive layer, sealant, and anti-static sprayed agent. These reeled parts in standard option are shipped with 2,000 units per 7" or 17.8cm diameter reel. The reels are clear in color and is made of polystyrene plastic (anti-static coated).

MBF Embossed Carrier Tape Configuration: Figure 3.0

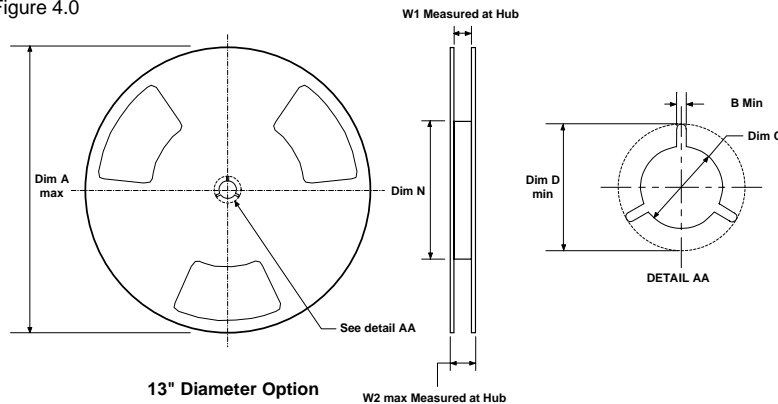


Dimensions are in millimeter														
Pkg type	A0	B0	W	D0	D1	E1	E2	F	P1	P0	K0	T	Wc	Tc
MBF	5.64	7.57	11.98	1.55	1.125	1.75	10.23	4.5	7.64	4.0	1.85	0.25	9.5	0.14

Notes: A0, B0, and K0 dimensions are determined with respect to the EIA/Jedec RS-481 rotational and lateral movement requirements (see sketches A, B, and C).



MBF Reel Configuration: Figure 4.0



Dimensions are in inches and millimeters								
Tape Size	Reel Option	Dim A	Dim B	Dim C	Dim D	Dim N	Dim W1	Dim W2
		331.05	2.90	13.05	18.35	323.25	12.24	16.84