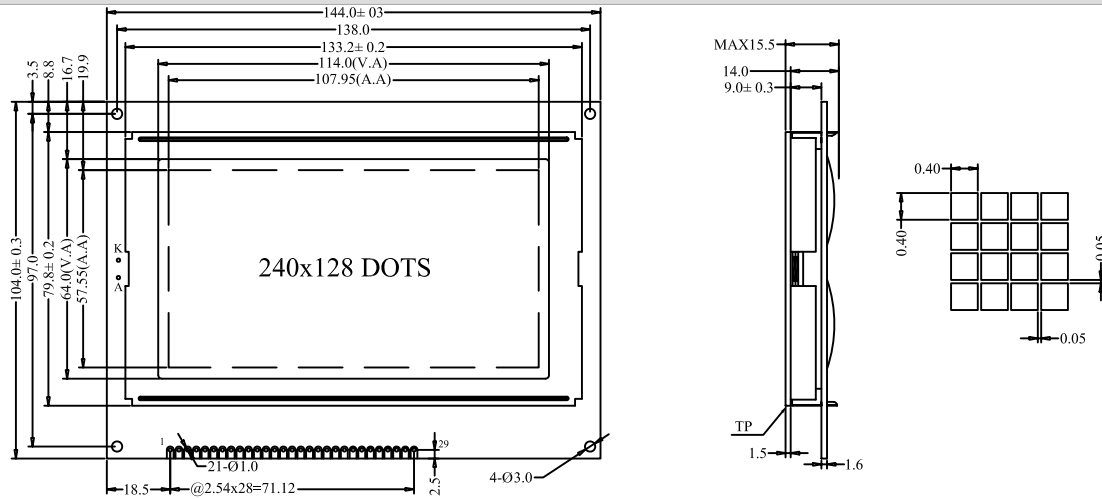


1. DIMENSION OUTLINE



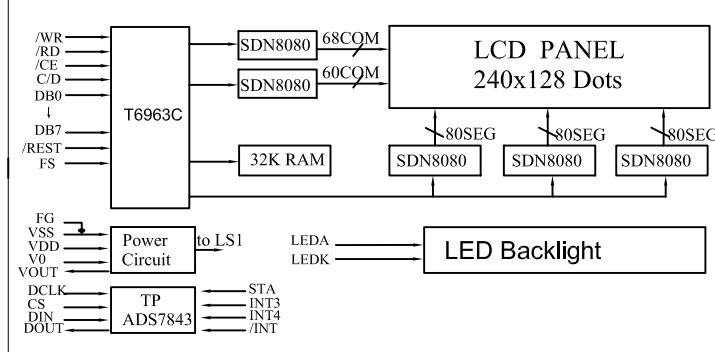
2. MECHANICAL SPECIFICATIONS

ITEM	SPECIFICATIONS	ITEM	REMARK
Module Size(L×W×H)	144.0×104.0×14.0	mm	Reference Dimensional Outline
View Area(W×H)	114.0×64.0	mm	
Effective V/Area	107.95×57.55	mm	
Number of Characters	240×128	-	
Dot Pitch(W×H)	0.45×0.45	mm	
Dot Size(W×H)	0.40×0.40	mm	
Weight (Reflective/Led)	-	g	

3. ABSOLUTE MAXIMUM RATINGS

ITEM	SYMBOL	CONDITION	STANDARD	
			MIN	MAX
Logic Voltage	V _{DD}	Ta=25°C	-0.3V	7V
LCD Voltage	V _{LCD}		-0.3V	25V
Input Voltage	V _I		-0.3V	V _{DD} +0.3V
Operation Temperature	T _{OP}	—	-20°C	70°C
Storage Temperature	T _{ST}	—	-30°C	80°C

4. BLOCK DIAGRAM MECHANICAL



5. LED BACKLIGHT SPECIFICATIONS

ITEM	SYMBOL	TYPE	MAX	UNIT
Ta=25°C				
Forward Voltage	V _f	3.0	3.2	V
Forward Current	I _f	90	—	mA
Emission Wave Length	λ _P	--	—	nm
Forward Voltage	V _f	4.05	4.25	V
Forward Current	I _f	720	—	mA
Emission Wave Length	λ _P	568	—	nm

6. INTERFACE PIN CONNECTIONS

ITEM	SYMBOL	LEVEL	FUNCTIONS	
1	FG	—	Frame Ground	
2	VSS	0V	Power Ground	
3	VDD	+5V	Power Supply For Logic	
4	V0	—	Contrast Adjust	
5	/WR	L	Write Signal	
6	/RD	L	Read Signal	
7	/CE	L	Chip Enable Signal	
8	C/D	H/L	H:command L:data	
9	/REST	L	Reset Signal	
10-17	DB0-DB7	H/L	Data Bus	
18	FS	H/L	Font Selection L:8x8 H:6x8	
19	VOUT	—	Output Voltage For LCD Driving	
20	LEDA	+5V	Power Supply For LED Backlight	
21	LEDK	0V		
22	DCLK	H/L	Clock Signal	ADS7843
23	/CS	L	Chip Enable Signal	
24	DIN	H/L	Serial Data Input	
25	STA	H/L	Busy Signal	
26	DOUT	H/L	Serial Data Output	
27	/INT	H/L		
28	INT4	H/L		
29	INT3	H/L		

7. ELECTRICAL CHARACTERISTICS

ITEM	SYMBOL	MIN	TYPE	MAX	UNIT
Ta=25°C					
Logic Power	V _{DD}	4.5	5	5.5	V
Input High Voltage	V _{IH}	V _{DD} -2.2	—	V _{DD}	V
Input Low Voltage	V _{IL}	0	—	0.8	V
Output High Voltage	V _{OH}	V _{DD} -0.3	—	V _{DD}	V
Output Low Voltage	V _{OL}	0	—	0.3	V
Logic Current	I _{DD}	—	15	25	mA
Operation Voltage For LCD	V _{DD} -V ₀	—	18	—	V