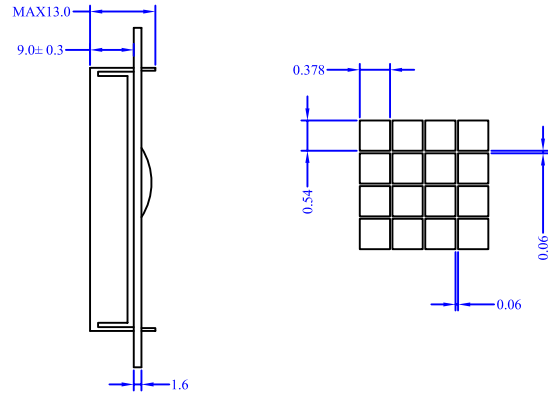
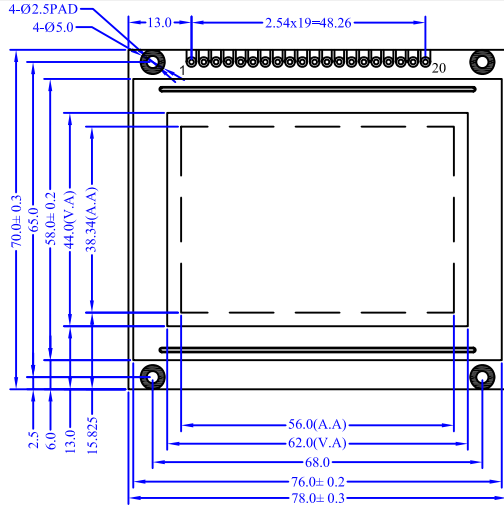


## 1.DIMENSION OUTLINE



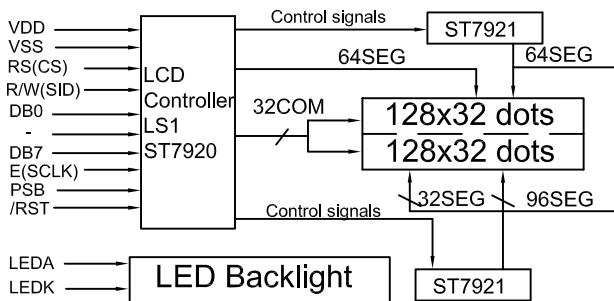
## 2.MECHANICAL SPECIFICATIONS

ITEM	SPECIFICATIONS	ITEM	REMARK
Module Size(L×W×H)	78.0×70.0×13.0	mm	Reference Dimensional Outline
View Area(W×H)	62.0×44.0	mm	
Effective V/Area	56.0×38.34	mm	
Number of Characters	128×64	-	
Dot Pitch(W×H)	0.50×0.438	mm	
Dot Size(W×H)	0.54×0.378	mm	
Weight (Reflective/Led)	-	g	

## 3.ABSOLUTE MAXIMUM RATINGS

ITEM	SYMBOL	CONDITION	STANDARD	
			MIN	MAX
Logic Voltage	V <sub>DD</sub>	Ta=25°C	-0.3V	5.5V
LCD Voltage	V <sub>LCD</sub>		-0.3V	7V
Input Voltage	V <sub>I</sub>		-0.3V	V <sub>DD</sub> +0.3V
Operation Temperature	T <sub>OP</sub>	—	-20°C	70°C
Storage Temperature	T <sub>St</sub>	—	-30°C	80°C

## 4.BLOCK DIAGRAMMECHANICAL



## 5.LED BACKLIGHT SPECIFICATIONS

ITEM	SYMBOL	TYPE	MAX	UNIT
Ta=25°C				
Forward Voltage	V <sub>f</sub>	4.1	4.3	V
Forward Current	I <sub>f</sub>	360	—	mA
Emission Wave Length	λ <sub>P</sub>	568	—	nm

## 6.INTERFACE PIN CONNECTIONS

ITEM	SYMBOL	LEVEL	FUNCTIONS
1	VSS	0V	Power Ground
2	VDD	+5V	Power supply for logic
3	V0	-	NC
4	RS(CS)	H/L	H:data L:command
5	RW/(SID)	H/L	H:read L:write
6	E/(SCLK)	H.H→L	Enable signal
7-14	DB0-DB7	H/L	Data Bus
15	PSB	H/L	H:Paraller mode L:serial mode
16	NC	—	NO connection
17	/REST	L	Reset signal
18	NC	—	NO connection
19	LEDA	+5V	Power supply for LED backlight
20	LEDK	0V	

## 7.ELECTRICAL CHARACTERISTICS

ITEM	SYMBOL	MIN	TYPE	MAX	UNIT
Ta=25°C					
Logic Power	V <sub>DD</sub>	4.5	5	5.5	V
Input High Voltage	V <sub>IH</sub>	0.7V <sub>DD</sub>	—	V <sub>DD</sub>	V
Input Low Voltage	V <sub>IL</sub>	-0.3	—	0.6	V
Output High Voltage	V <sub>OH</sub>	0.8V <sub>DD</sub>	—	V <sub>DD</sub>	V
Output Low Voltage	V <sub>OL</sub>	0	—	0.4	V
Logic Current	I <sub>DD</sub>	—	3	5	mA
Operation Voltage For LCD	V <sub>0-GND</sub>	—	5	—	V