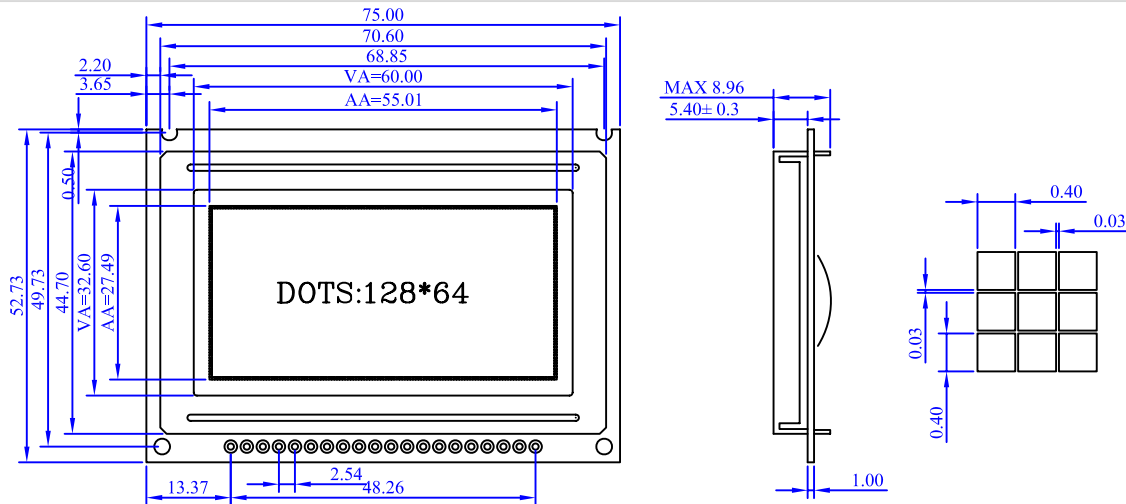


1.DIMENSION OUTLINE



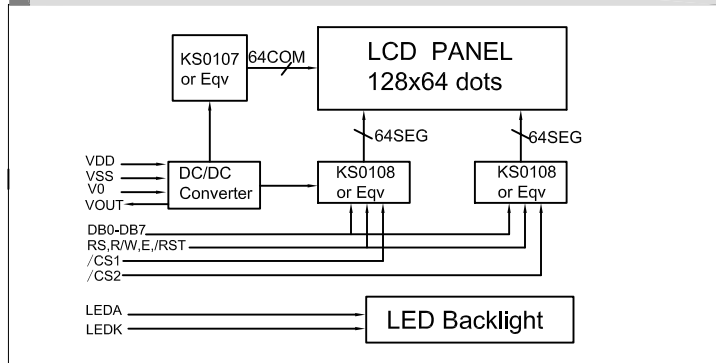
2.MECHANICAL SPECIFICATIONS

ITEM	SPECIFICATIONS	ITEM	REMARK
Module Size(L×W×H)	75.0×52.73×9.0	mm	Reference Dimensional Outline
View Area(W×H)	60.0×32.6	mm	
Effective V/Area	55.01×27.49	mm	
Number of Characters	128×64	-	
Dot Pitch(W×H)	0.43×0.43	mm	
Dot Size(W×H)	0.40×0.40	mm	
Weight (Reflective/Led)	-	g	

3.ABSOLUTE MAXIMUM RATINGS

ITEM	SYMBOL	CONDITION	STANDARD	
			MIN	MAX
Logic Voltage	V _{DD}	Ta=25°C	-0.3V	7V
LCD Voltage	V _{LCD}		-0.3V	13.5V
Input Voltage	V _I		-0.3V	V _{DD} +0.3V
Operation Temperature	T _{OP}	—	-20°C	70°C
Storage Temperature	T _{St}	—	-30°C	80°C

4.BLOCK DIAGRAMMECHANICAL



5.LED BACKLIGHT SPECIFICATIONS

ITEM	SYMBOL	TYPE	MAX	UNIT
Ta=25°C				
Forward Voltage	V _f	3.1	3.3	V
Forward Current	I _f	60	—	mA
Emission Wave Length	λ _p			

6.INTERFACE PIN CONNECTIONS

ITEM	SYMBOL	LEVEL	FUNCTIONS
1	VDD	+5V	Power supply for logic
2	VSS	0V	Power Ground
3	V0	—	Contrast adjust
4-11	DB0-DB7	H/L	Data Bus
12	/CS1	L	Chip selection IC1
13	/CS2	L	Chip selection IC2
14	RST	H	REST
15	R/W	H/L	H:read L:write
16	RS	H/L	H:data L:command
17	E	H,H→L	Enable signal
18	FG	--	Frame Ground
19	LEDA	+5V	Power supply for LED Backlight
20	LEDK	0V	

7.ELECTRICAL CHARACTERISTICS

ITEM	SYMBOL	MIN	TYPE	MAX	UNIT
Ta=25°C					
Logic Power	V _{DD}	4.5	5	5.5	V
Input High Voltage	V _{IH}	0.8VDD	—	V _{DD}	V
Input Low Voltage	V _{IL}	VSS	—	0.8	V
Output High Voltage	V _{OH}	2.4	—	—	V
Output Low Voltage	V _{OL}	0	—	0.4	V
Logic Current	I _{DD}	—	6	8	mA
Operation Voltage For LCD	V _{DD} -V ₀	—	8.8	—	V