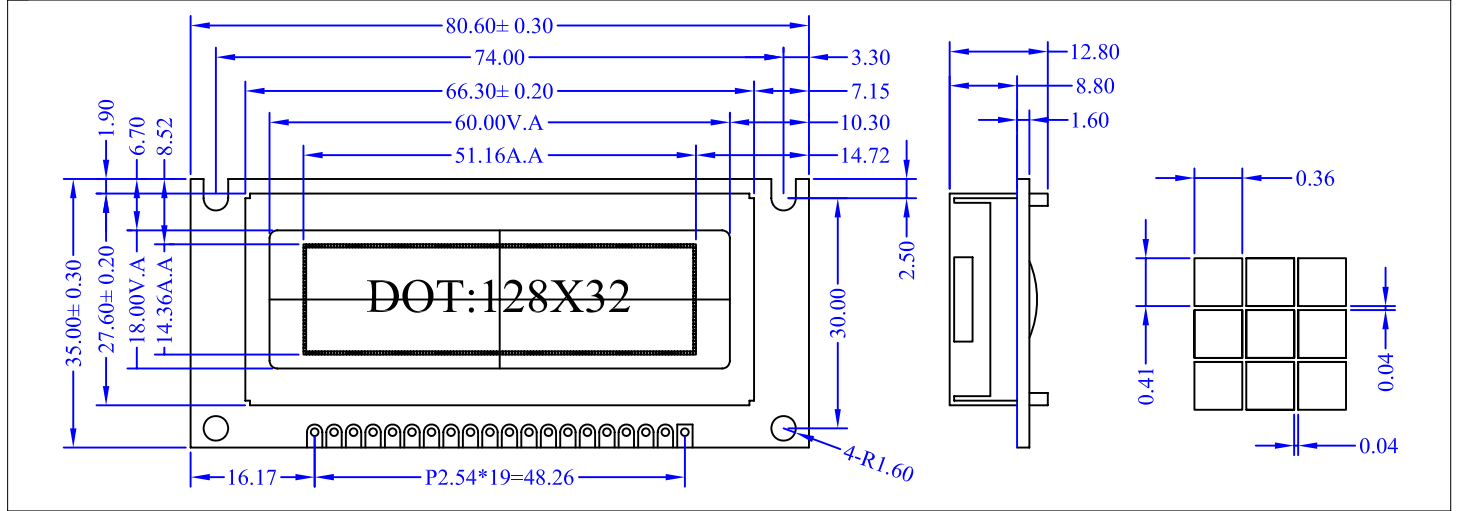


1.DIMENSION OUTLINE



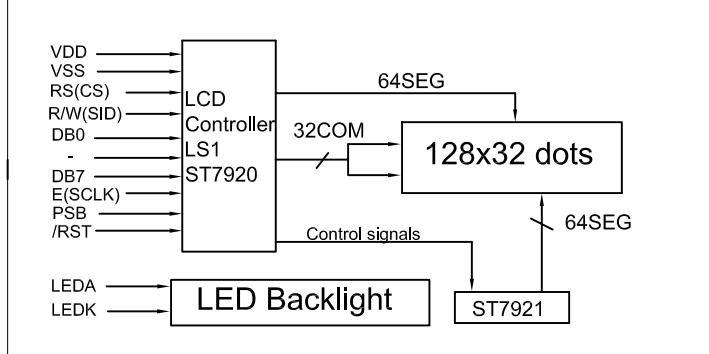
2.MECHANICAL SPECIFICATIONS

ITEM	SPECIFICATIONS	ITEM	REMARK
Module Size(L×W×H)	80.6×35.0×12.8	mm	Reference Dimensional Outline
View Area(L×W)	60.00×18.00	mm	
Effective V/Area (L×W)	51.16×14.36	mm	
Number of Characters	128×32	-	
Dot Pitch (L×W)	0.40×0.45	mm	
Dot Size (L×W)	0.36×0.41	mm	
Weight (Reflective/Led)	-	g	

3.ABSOLUTE MAXIMUM RATINGS

ITEM	SYMBOL	CONDITION	STANDARD	
			MIN	MAX
Logic Voltage	V _{DD}	Ta=25°C	-0.3V	5.5V
LCD Voltage	V _{LCD}		-0.3V	7V
Input Voltage	V _I		-0.3V	V _{DD} +0.3V
Operation Temperature	T _{OP}	—	-20°C	70°C
Storage Temperature	T _{St}	—	-30°C	80°C

4.BLOCK DIAGRAMMECHANICAL



5.LED BACKLIGHT SPECIFICATIONS

ITEM	SYMBOL	TYPE	MAX	UNIT
Ta=25°C				
Forward Voltage	V _f	4.1	4.3	V
Forward Current	I _f	120	—	mA
Emission Wave Length	λ _P	—	—	nm

6.INTERFACE PIN CONNECTIONS

ITEM	SYMBOL	LEVEL	FUNCTIONS
1	V0	+4.5V	LCD Power
2	Vout	-	Power out
3	VSS	0V	Power Ground
4	VDD	+5V	Power supply for logic
5	NC	-	NC
6	RS(CS)	H/L	H:data L:command
7	RW/(SID)	H/L	H:read L:write
8	E/(SCLK)	H.H→L	Enable signal
9-16	DB0-DB7	H/L	Data Bus
17	PSB	H/L	H:Paraller mode L:serial mode
18	/REST	L	Reset signal
19	LEDK	0V	Power supply for LED backlight
20	LEDA	+5V	

7.ELECTRICAL CHARACTERISTICS

ITEM	SYMBOL	MIN	TYPE	MAX	UNIT
Ta=25°C					
Logic Power	V _{DD}	4.5	5	5.5	V
Input High Voltage	V _{IH}	0.7V _{DD}	—	V _{DD}	V
Input Low Voltage	V _{IL}	-0.3	—	0.6	V
Output High Voltage	V _{OH}	0.8V _{DD}	—	V _{DD}	V
Output Low Voltage	V _{OL}	0	—	0.4	V
Logic Current	I _{DD}	—	3	5	mA
Operation Voltage For LCD	V0.GND	—	4.5	—	V