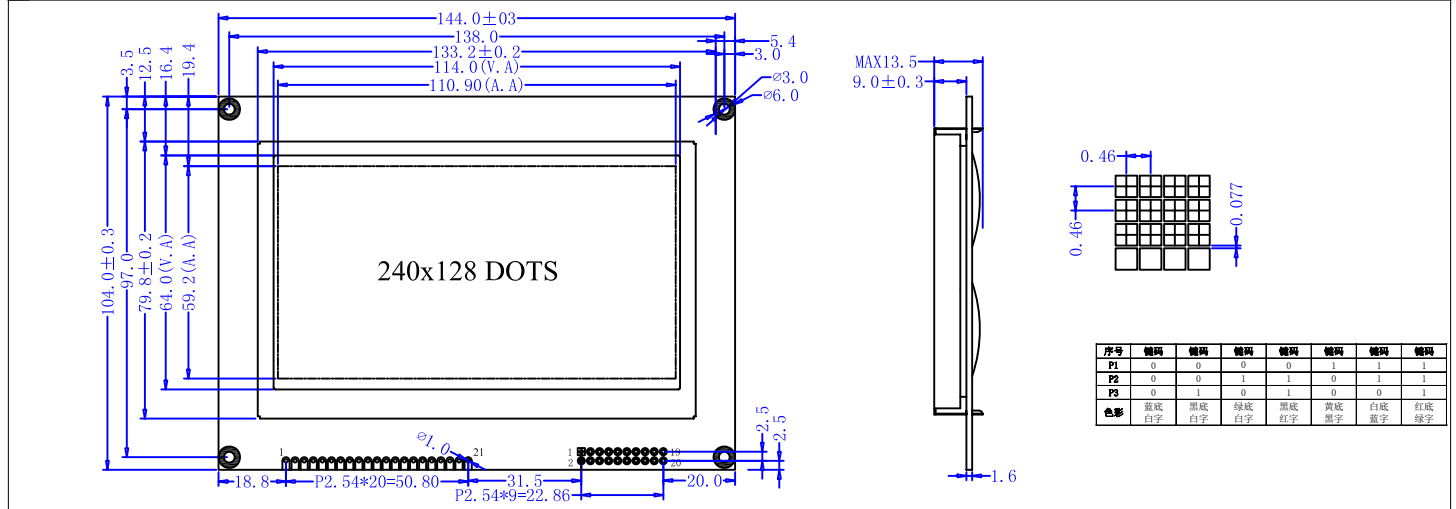


DJM240128G02 (240x128 DOTS) TFT-RGB

1. DIMENSION OUTLINE



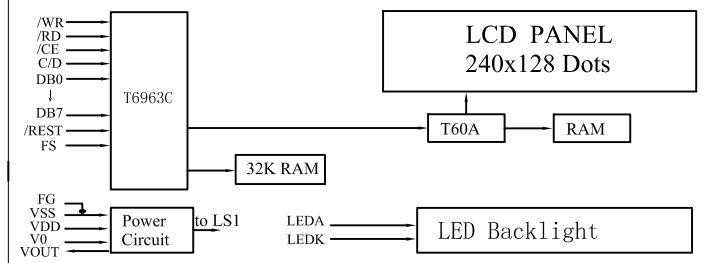
2. MECHANICAL SPECIFICATIONS

ITEM	SPECIFICATIONS	ITEM	REMARK
Module Size(L×W×H)	144.0×104.0×14.0	mm	Reference Dimensional Outline
View Area(W×H)	114.0×64.0	mm	
Effective V/Area	107.95×57.55	mm	
Number of Characters	240×128	-	
Dot Pitch(W×H)	0.45×0.45	mm	
Dot Size(W×H)	0.40×0.40	mm	
Weight (Reflective/Led)	-	g	

3. ABSOLUTE MAXIMUM RATINGS

ITEM	SYMBOL	CONDITION	STANDARD	
			MIN	MAX
Logic Voltage	V _{DD}	Ta=25°C	-0.3V	6V
LCD Voltage	V _{LCD}		-0.3V	19V
Input Voltage	V _I		-0.3V	V _{DD} +0.3V
Operation Temperature	T _{OP}	—	-20°C	70°C
Storage Temperature	T _{st}	—	-30°C	80°C

4. BLOCK DIAGRAM MECHANICAL



5. LED BACKLIGHT SPECIFICATIONS

ITEM	SYMBOL	TYPE	MAX	UNIT
Ta=25°C				
Forward Voltage	V _f	3.0	3.1	V
Forward Current	I _f	90	—	mA
Emission Wave Length	λ _P	---	—	nm

7. ELECTRICAL CHARACTERISTICS

ITEM	SYMBOL	MIN	TYPE	MAX	UNIT
Ta=25°C					
Logic Power	V _{DD}	4.5	5	5.5	V
Input High Voltage	V _{IH}	V _{DD} -2.2	—	V _{DD}	V
Input Low Voltage	V _{IL}	0	—	0.8	V
Output High Voltage	V _{OH}	V _{DD} -0.3	—	V _{DD}	V
Output Low Voltage	V _{OL}	0	—	0.3	V
Logic Current	I _{DD}	—	15	25	mA
Operation Voltage For LCD	V _{DD} -V ₀	—	-18	—	V

6. INTERFACE PIN CONNECTIONS

ITEM1	SYMBOL	LEVEL	FUNCTIONS
1	FG	—	Frame Ground
2	VSS	0V	Power Ground
3	VDD	+5V	Power supply for logic
4	V0	—	Contrast adjust
5	/WR	L	Write signal
6	/RD	L	Read signal
7	/CE	L	Chip enable signal
8	C/D	H/L	H:command L:data
9	/RES	L	Reset signal
10-17	D0-D7	H/L	Data Bus
18	FS	H/L	Font selection L:8x8 H:6x8
19	VOUT/A	—	VOUT:Output voltage for LCD Driving -14V
20	A/K	+5V	A:Power supply for LED Backlight +5.0V
21	K/NC	0V	K:Power supply for LED Backlight 0V

ITEM2	SYMBOL	LEVEL	FUNCTIONS
1	FG	—	Frame Ground
2	VSS	0V	Power Ground
3	VDD	+5V	Power supply for logic
4	V0	—	Contrast adjust
5	/WR	L	Write signal
6	/RD	L	Read signal
7	/CE	L	Chip enable signal
8	C/D	H/L	H:command L:data
9	/RES	L	Reset signal
10-17	D0-D7	H/L	Data Bus
18	FS	H/L	Font selection L:8x8 H:6x8
19	VOUT/A	—	VOUT:Output voltage for LCD Driving -14V
20	A/K	+5V/0V	A:Power supply for LED Backlight +5.0V K:Power supply for LED Backlight 0V