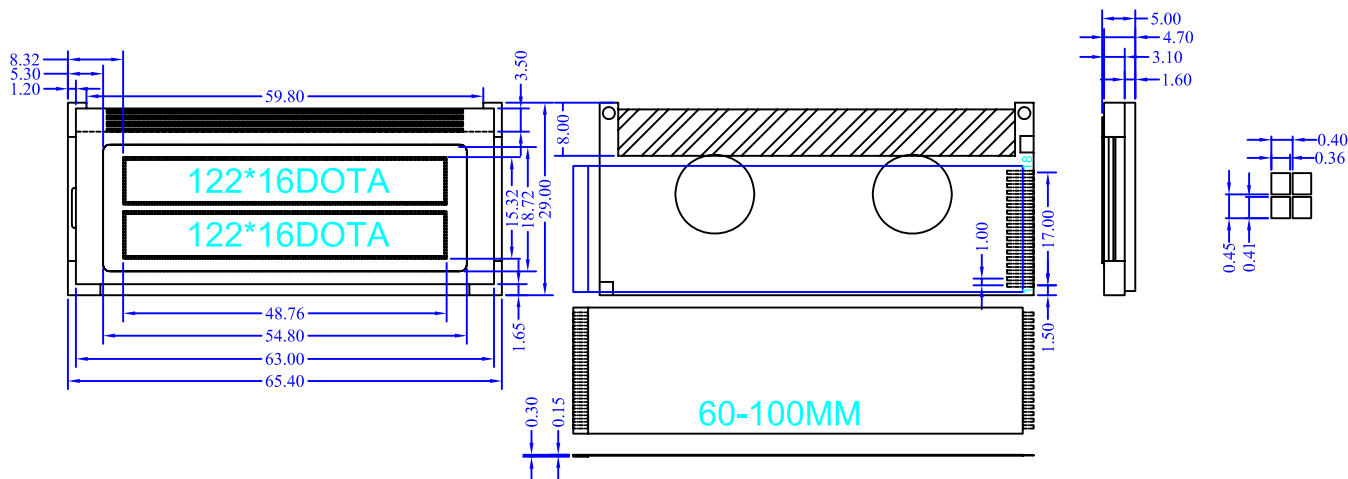


1. DIMENSION OUTLINE



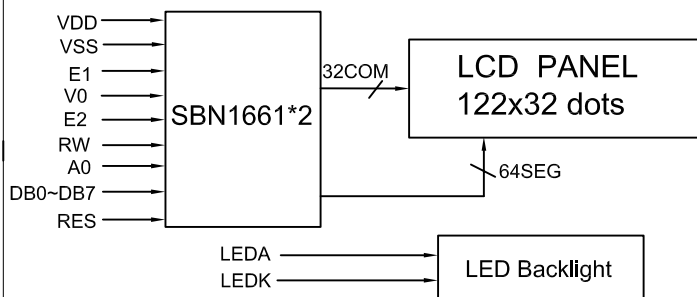
2. MECHANICAL SPECIFICATIONS

ITEM	SPECIFICATIONS	ITEM	REMARK
Module Size(L×W×H)	76.4×29×5	mm	Reference Dimensional Outline
View Area(W×H)	54.8×19.1	mm	
Effective V/Area	48.75×15.32	mm	
Number of Characters	122×32	-	
Dot Pitch(W×H)	0.40×0.45	mm	
Dot Size(W×H)	0.36×0.41	mm	
Weight (Reflective/Led)	-	g	

3. ABSOLUTE MAXIMUM RATINGS

ITEM	SYMBOL	CONDITION	STANDARD	
			MIN	MAX
Logic Voltage	V <sub>DD</sub>	Ta=25°C	-0.3V	7V
LCD Voltage	V <sub>LCD</sub>		-0.3V	5V
Input Voltage	V <sub>I</sub>		-0.3V	V <sub>DD</sub> +0.3V
Operation Temperature	T <sub>OP</sub>	—	-20°C	70°C
Storage Temperature	T <sub>St</sub>	—	-30°C	80°C

4. BLOCK DIAGRAMMECHANICAL



5. LED BACKLIGHT SPECIFICATIONS

ITEM	SYMBOL	TYPE	MAX	UNIT
Ta=25°C				
Forward Voltage	V <sub>f</sub>	4.1	4.3	V
Forward Current	I <sub>f</sub>	200	—	mA
Emission Wave Length	λ <sub>p</sub>	571	—	nm

6. INTERFACE PIN CONNECTIONS

ITEM	SYMBOL	LEVEL	FUNCTIONS
1	VDD	+5V	Power supply for logic
2	VSS	0V	Power Ground
3	V0	—	Contrast adjust
4	RES	H/L	Reset signal
5	E1	H/L	Enable signal
6	E2	H/L	Enable signal
7	/RW	H/L	H:Read ; L:Write
8	A0	H/L	L:Instruction data ; H:data
9~16	DB0~DB7	H/L	Data bus
17	LEDA	+5V	LED B/L Power Supply
18	LEDK	0V	LED B/L Power Supply

7. ELECTRICAL CHARACTERISTICS

ITEM	SYMBOL	MIN	TYPE	MAX	UNIT
Ta=25°C					
Logic Power	V <sub>DD</sub>	4.5	5	5.5	V
Input High Voltage	V <sub>IH</sub>	0.7V <sub>DD</sub>	—	V <sub>DD</sub>	V
Input Low Voltage	V <sub>IL</sub>	VSS	—	0.6	V
Output High Voltage	V <sub>OH</sub>	0.8V <sub>DD</sub>	—	V <sub>DD</sub>	V
Output Low Voltage	V <sub>OL</sub>	0	—	0.4	V
Logic Current	I <sub>DD</sub>	—	3	5	mA
Operation Voltage For LCD	V <sub>DD</sub> -V <sub>0</sub>	—	5.0	—	V

由 Autodesk 教育版产品制作

由 Autodesk 教育版产品制作