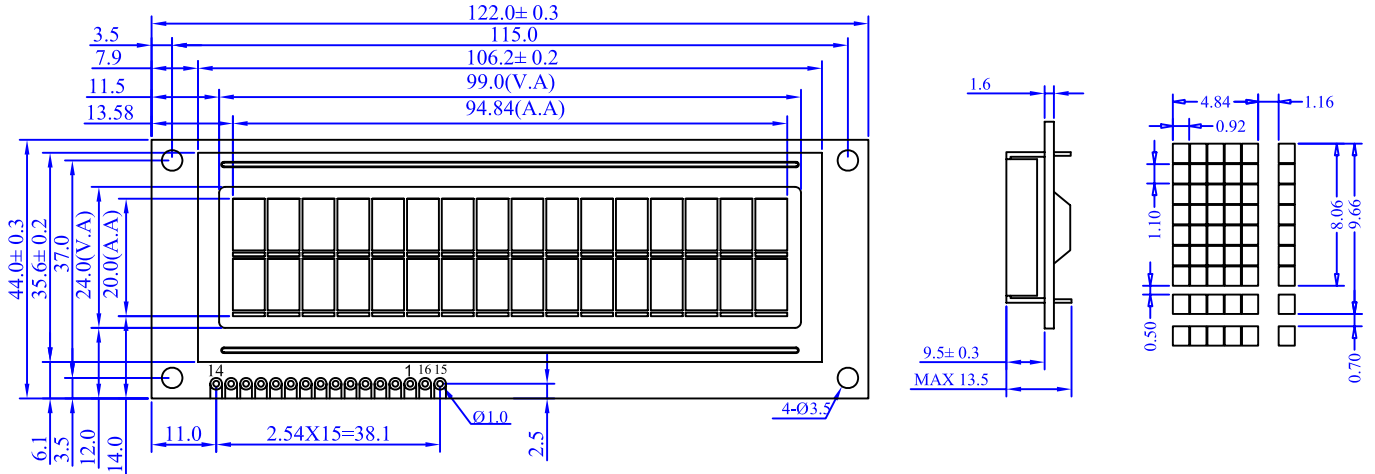


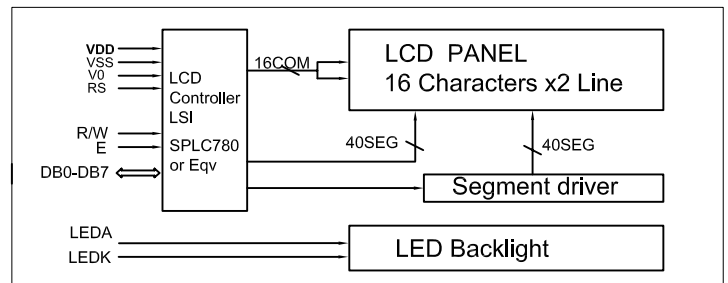
1.DIMENSION OUTLINE



2.MECHANICAL SPECIFICATIONS

ITEM	SPECIFICATIONS	ITEM	REMARK
Module Size(L×W×H)	122.0×44.0×13.5	mm	Reference Dimensional Outline
View Area(W×H)	99.0×24.0	mm	
Effective V/Area	94.84×20.0	mm	
Number of Characters	16CH×2Lines	-	
Character Size(W×H)	4.84×9.66	mm	
Dot Size(W×H)	0.92×1.10	mm	
Weight(Reflective/Led)	-	g	

3.BLOCK DIAGRAMMECHANICAL



4.LED BACKLIGHT SPECIFICATIONS

ITEM	SYMBOL	TYPE	MAX	UNIT	
Ta=25°C					
①	Forward Voltage	V <sub>f</sub>	4.1	4.3	V
	Forward Current	I <sub>f</sub>	240	—	mA
	Emission Vave Length	λ <sub>P</sub>	568	—	nm
②	Forward Voltage	V <sub>f</sub>	3.0	3.3	V
	Forward Current	I <sub>f</sub>	3.0	—	mA
	Emission Vave Length	λ <sub>P</sub>	—	—	nm

5.ABSOLUTE MAXIMUM RATINGS

ITEM	SYMBOL	CONDITION	STANDARD	
			MIN	MAX
Logic Voltage	V <sub>DD</sub>	Ta=25°C	-0.3V	7V
LCD Voltage	V <sub>LCD</sub>		-0.3V	13V
Input Voltage	V <sub>I</sub>		-0.3V	V <sub>DD</sub> +0.3V
Operation Temperature	T <sub>OP</sub>	—	-20°C	70°C
Storage Temperature	V <sub>OP</sub>	—	-30°C	80°C

6.INTERFACE PIN CONNECTIONS

ITEM	SYMBOL	LEVEL	FUNCTIONS
15	LEDA	+5V	Power supply For LED Backlight
16	LEDK	0V	
1	VSS	0V	Power Ground
2	VDD	+5V	Power Supply For Logic
3	V0	—	Contrast adjust
4	RS	H/L	H:data L:command
5	R/W	H/L	H:read L:write
6	E	H. H→L	Enable signal
7-14	DB0-DB7	H/L	Data Bus

7.ELECTRICAL CHARACTERISTICS

ITEM	SYMBOL	MIN	TYPE	MAX	UNIT
Ta=25°C					
Logic Power	V <sub>DD</sub>	4.5	5	5.5	V
Input High Voltage	V <sub>IH</sub>	2.2	—	V <sub>DD</sub>	V
Input Low Voltage	V <sub>IL</sub>	-0.3	—	0.8	V
Output High Voltage	V <sub>OH</sub>	2.4	—	V <sub>DD</sub>	V
Output Low Voltage	V <sub>OL</sub>	0	—	0.4	V
Logic Current	I <sub>DD</sub>	—	1.2	3.0	mA
Operation Voltage For LCD	V <sub>DD-V0</sub>	—	4.6	—	V